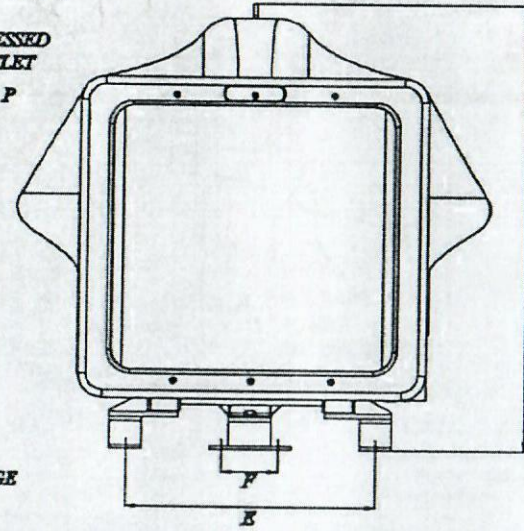


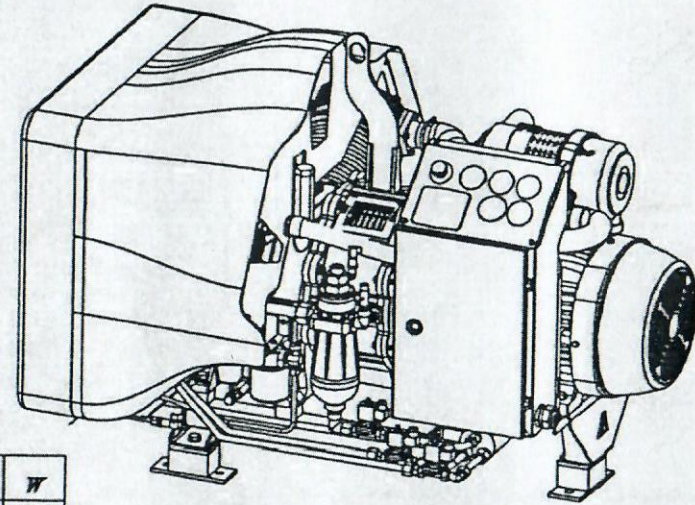
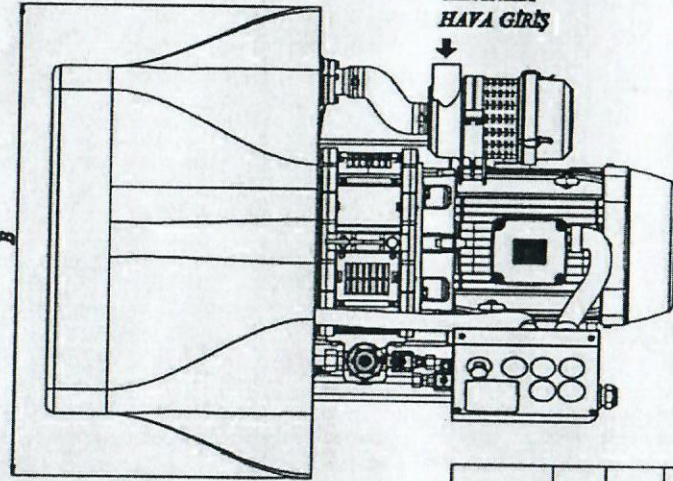
BASINÇLI HAVA  
ÇIKIŞI  
COMPRESSED  
AIR OUTLET

ELEKTRİK  
BAĞLANTI  
POWER  
CONNECTION

SU TAHLİYE  
ÇIKIŞI  
WATER DRAINAGE  
OUTLET



ATMOSPHERIC  
AIR INLET  
HAVA GİRİŞİ



	A	B	C	D	E	F	P	W
W 64	1300	1100	1030	873	532	140	R1"	R2"
W 108	1300	1100	1030	873	532	140	R1"	R2"
W 166	1580	1175	1100	981	622	140	R1"	R2"
W 210	1640	1175	1100	1033	622	140	R1"	R2"

WAVE SERIES  
W64 - W108 - W166 - W210

DALGAKIRAN